

Exterior 600 Compact

user manual



©1999, 2000 Martin Professional A/S, Denmark.

All rights reserved. No part of this manual may be reproduced, in any form or by any means, without permission in writing from Martin Professional A/S, Denmark.

Printed in Denmark.

P/N 35000082, Rev. D

table of CONTENTS

Introduction and Safety	4
Safety precautions	4
About this manual	4
Lamp Installation	5
Compatible lamps	5
Maximum lamp usage.....	5
Installing the lamp.....	5
Optimizing lamp alignment	6
AC Power Connection	7
Tapping the power supply.....	7
Wiring the mains lead	9
Data Connection	10
Recommended cable.....	10
Building the data link.....	10
Terminating the link	11
Installation	12
Location and orientation	12
Fastener spacing and type	12
Adjusting pan and tilt	12
Address, Settings, and Software	13
About uploaders.....	13
Setting address and mode.....	13
Setting personalities	15
Programming MC-X scenes.....	15
Running a test sequence with the MPBB1	17
Calibrating effects with the MPBB1	17
Manual control	17
Installing software.....	17
Stand-alone Operation	19
Stand-alone settings	19
General procedure for changing stand-alone settings.....	20
Programming a single fixture	20
Synchronizing stand-alone operation	21
Controller Operation	22
Martin RS-485 control.....	22
DMX-512 control.....	22
Operating the lamp	22
Operating the mechanical effects	23
Cold weather operation.....	23
Operating status	23
Basic Service and Maintenance	24
Opening and closing the electronics section	24
Replacing fuses	24
Adjusting field angle.....	24
Maintaining the seal.....	25
Cleaning the housing.....	25
Changing the mains lead.....	25
DMX Protocol	27
Troubleshooting	28
Specifications	29

section 1 INTRODUCTION AND SAFETY

Thank you for selecting the Martin Exterior 600 Compact. This automated luminaire combines CMY color mixing with extremely bright output in an attractive aluminum housing designed for permanent outdoor installation.

Safety precautions

The Exterior 600 Compact is not for domestic use. It presents potential risks due to electric shock, heat and ultraviolet radiation burns, lamp explosion, falls, high-intensity light, and fire. A thorough understanding of the dangers, genuine concern for safety, and attention to detail are required to prevent accidents. Read this manual before powering or installing the fixture, follow the safety precautions listed below and observe the warnings in this manual and printed on the fixture, and always double check the safety conditions. If you have questions about how to operate the Exterior 600 Compact, please contact your Martin dealer for assistance.

- **ALWAYS disconnect the fixture from AC power and allow it to cool for 20 minutes before:**
 - Changing the transformer or ballast settings
 - Installing or removing the lamp
 - Checking or replacing fuses
 - Removing any cover or part from the fixture
- **ALWAYS keep combustible materials at least 1 meter (39 inches) away from the fixture. Keep flammable materials well away from the fixture.**
- **For protection against dangerous electric shock, ALWAYS ground (earth) the fixture electrically. Use only a source of AC power that complies with local building and electrical codes.**
- **Replace defective or worn out lamps immediately. Replace working lamps before usage exceeds the maximum service life.**
- **ALWAYS use at least one fastener in each of the 4 curved mounting slots in the base.**
- **ALWAYS refer any service operation not described in this manual to a qualified technician.**
- **NEVER illuminate surfaces within 1 meter (39 inches) of the fixture.**
- **NEVER place filters or other materials over the lens or front glass plate.**
- **NEVER operate the fixture if the ambient temperature (Ta) exceeds 40° C (104° F).**
- **NEVER stare directly into the light.**
- **NEVER operate the fixture without all lenses and covers installed: an unshielded lamp emits dangerous UV radiation that can cause burns and eye damage, and it can explode without warning.**
- **NEVER modify the fixture or install other than genuine Martin accessories.**

About this manual

This user manual covers the Exterior 600 Compact with version 1.1 software. The latest Exterior 600 Compact news, documentation, and software is available from the Martin Professional web site at <http://www.martin.dk>.

section 2 LAMP INSTALLATION

This section describes how to install and adjust a lamp.

Compatible lamps

The Exterior 600 Compact is designed to use the lamps listed below. *Installing other lamps may damage the fixture.*

Lamp	Average life	Replace by	Color temp.	Output	P/N
Philips MSD 575	2000 h	2200 h	6000K	78 lm/w	97010202
Philips MSR 575/2	1000 h	1200 h	7200K	85 lm/w	97010201
Osram HSR 575/2	1000 h	1200 h	6000K	85 lm/w	97010200
Osram HSD 575	3000 h	3600 h	7200K	78 lm/w	97010207

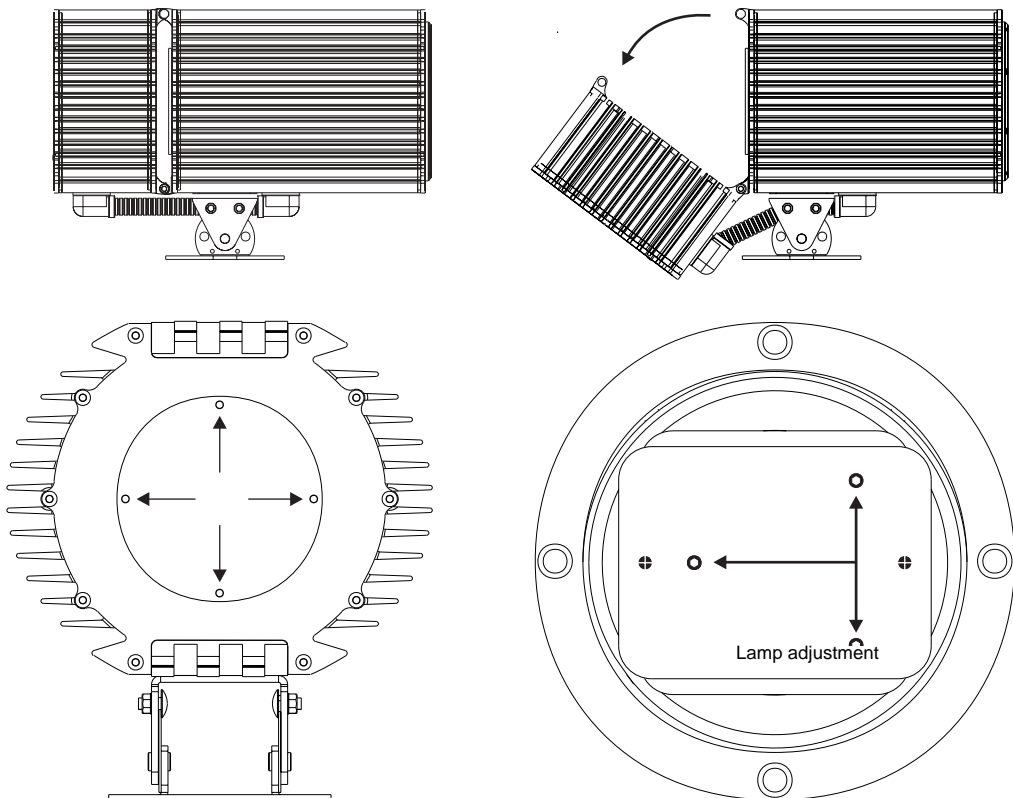
Maximum lamp usage

The quartz bulb weakens over time, significantly increasing the risk of lamp explosion. Replace the lamp no later than indicated in the table above.

Installing the lamp

WARNING!

Always disconnect the fixture from AC power and allow it to cool before installing the lamp. For protection against lamp explosion, allow a hot lamp to cool for at least 2 minutes before removing the access plate.



1. Isolate the fixture from AC power. If it is hot, allow it to cool for at least 2 minutes before proceeding. The lamp is under high pressure when hot and can explode: use safety goggles to protect your eyes.
2. Remove the nut from the long bolt at the top of the fixture and remove the bolt. Loosen the bottom bolt slightly, if necessary, and tilt the rear section back no more than 45° to avoid damaging the electrical conduit beneath the fixture.
3. Remove the 4 Allen screws from the lamp access plate. Remove the access plate and the rubber seal.
4. Remove the 2 Phillips screws from the lamp-socket assembly. Gently pull out the assembly.
5. If changing the lamp, remove the old lamp from the socket.
6. Holding the new lamp by its ceramic base - *do not touch the glass* - insert it firmly and squarely into the lamp socket.
7. Clean the glass bulb with the wipe supplied with the lamp, particularly if your fingers touched the glass. A clean, lint-free cloth wetted with alcohol may also be used.
8. Re-insert the lamp assembly. Replace the 2 Phillips screws.
9. Optimize lamp alignment and then close the fixture as described below.

Optimizing lamp alignment

The lamp holder is adjusted at the factory; precise alignment may be necessary due to slight variations between lamps.

1. Apply power to the fixture and allow it to reset. Strike the lamp.
2. Remove the nut from the long bolt at the top of the fixture and remove the bolt. Tilt the rear section back no more than 45° to avoid damaging the electrical conduit beneath the fixture.
3. Remove the 4 Allen screws from the lamp access plate. Remove the access plate and the rubber seal.
4. Center the hot-spot (the brightest part of the beam) by turning the 3 adjustment screws one at a time to move the hot-spot diagonally across the beam. If there is no hot-spot, adjust until the light is even.
5. To reduce the hot-spot, pull the lamp back towards you by turning all three screws clockwise 1/4-turn at a time until the light is evenly distributed.
6. If the light is brighter around the edge than it is in the center, or if light output is low, the lamp is too far back in the reflector. Move the lamp forward by turning the adjustments screws counter-clockwise 1/4-turn at a time until the light is bright and evenly distributed.
7. Check the condition of the lamp access seal. Replace with a new one (P/N 20620050) if the seal is torn, cracked or brittle.
8. Place the seal on the back of the lamp access plate. Insert the 4 Allen screws through the plate and install. Tighten the Allen screws with a torque of 3 N.m (2.2 Ft-Lbs). With this torque, the seal will be compressed by about one-third.
9. Tilt the rear section into position and replace the long bolt and lock nut.

section 3 AC POWER CONNECTION

The Exterior 600 Compact is available with a power supply for operation at 200/230/245 V, 50 Hz and 208/227 V, 60 Hz; and with a special transformer for operation at 277 V, 60 Hz. This section describes how to tap the power supply for the local AC voltage and frequency and how to connect the Exterior 600 Compact to AC power.

Do not connect the Exterior 600 Compact to an electrical dimmer system: doing so can damage the electronics.

Warning *The fixture is supplied with a weatherproof power cable. However, note that if there is a breach or cut at any point along the power cable (for example at a connection point), and if this is exposed to water, moisture can be drawn up the inside of the cables due to the vacuum effect from the heat generated during operation. When installing the product outdoors, always ensure that the fixture is protected from water ingress from inside its power cable by:*

- *Protecting the connectors on the power cables in a weatherproof housing, or a weatherproof electrical junction box, or*
- *Using IP65 rated cord caps, or*
- *Replacing the supplied cable with one that connects directly inside the fixture.*

IMPORTANT!

Check voltage and frequency settings *before* applying power.

Tapping the power supply

Verify settings

The voltage and frequency settings must match the local AC power supply! The factory-set power supply tapings are printed on the serial number label on the back plate. Operating at the incorrect power setting can result in poor light output, greatly reduced lamp life, overheating and damage to the fixture. If the setting does not match your local AC voltage and frequency, then the power supply must be retapped as described below.

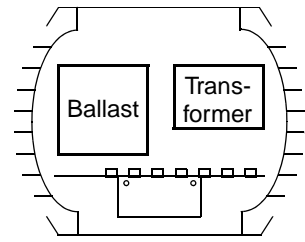
Changing voltage and frequency settings, standard power supply

Local AC Supply		Transformer		Ballast	
Frequency	Voltage	Setting	Terminal	Setting	Terminal
50 Hz	200-210 V	210 V	4	200 V / 50 Hz	7
	210-220 V	210 V	4	230 V / 50 Hz	10
	220-235 V	230 V	6	230 V / 50 Hz	10
	235-240 V	230 V	6	245 V / 50 Hz	12
	240-260 V	250 V	8	245 V / 50 Hz	12
60 HZ	200-217 V	210 V	4	208 V / 60 Hz	4
	217-240 V	230 V	6	227 V / 60 Hz	7

WARNING!

Disconnect the fixture from AC power before removing any cover.

1. Make sure the Exterior 600 Compact is isolated from AC power. Remove the 10 Allen screws from the rear cover plate. Pull off the plate and seal.
2. Find the row in the above table with the local AC frequency and voltage. Follow the row to the right to find the correct transformer and ballast tapings. For example, with a local AC supply of 230V, 50 Hz, the correct transformer tapping is terminal 6 and the correct ballast tapping is terminal 10.



3. To tap the transformer, move the 2 BROWN wires to the correct terminal. Terminals are identified on the transformer in front of the connection tabs.
4. To tap the ballast, move the single BROWN wire to the correct terminal.
5. Check the condition of the seal. Replace with a new one (P/N 20600020) if the seal is torn, cracked or brittle.
6. Insert the Allen screws through all holes in the cover and seal. Place the cover firmly against the body.
7. Adjust the straight sides of the seal so that they stick out a little bit, just enough so that you can feel the seal when you run a finger across the joint.
8. Cross-tighten the cover bolts. The correct torque for these bolts is 3 N.m (2.2 Ft-Lbs). With this torque, the seal will be compressed by about one-third.

Changing voltage and frequency settings, 277 V supply

Local AC		Transformer		Ballast	
Frequency	Voltage	Setting	Terminal	Setting	Terminal
50 Hz	218-241 V	230 V	see label	230 V / 50 Hz	10
	265-290 V	277 V	see label		
60 Hz	218-241 V	230 V	see label	227 V / 60 Hz	7
	265-290 V	277 V	see label		


1. Make sure the Exterior 600 Compact is isolated from AC power. Remove the 10 Allen screws from the rear cover plate. Pull off the plate and seal.
2. Locate the BROWN wire that connects the mains filter to the transformer. Move this wire to the transformer terminal labelled for the desired setting, 230 or 277 V. *Do not move the brown wire that leads to the ballast.*
3. To tap the ballast, move the single BROWN wire to terminal 7 for 60 Hz operation, or to terminal 10 for 50 Hz operation.
4. Replace the cover as described in the previous procedure.

Wiring the mains lead

The Exterior 600 Compact is equipped with a 1.8-meter (5.9 ft.) length of 3-conductor 0.75 mm² (~18 AWG) electrical cable for connection to the AC power supply. See “Changing the mains lead” on page 25 if another lead is required.

WARNING!

For protection from dangerous electric shock, the fixture must be grounded (earthed). The AC mains supply shall be fitted with a fuse or circuit breaker and ground-fault protection.

Wire (EU)	Wire (US)	Pin	Marking	Screw (US)
brown	black	live	“L”	yellow or brass
blue	white	neutral	“N”	silver
yellow/green	green	ground		green

1. Verify that the power supply is tapped for the local AC voltage and frequency.
2. Verify that the feed cable is undamaged and rated for the current requirements of all connected devices.
3. To connect the Exterior 600 Compact to an electrical outlet or cable, install an appropriate grounding-type cord cap on the mains lead. Connect the yellow/green wire to ground (earth), the brown wire to live (hot), and the blue wire to neutral. The above table shows some possible pin identification schemes; if the pins are not clearly identified, or if you have any doubts about proper installation, consult a qualified electrician.
4. Consult a qualified electrician if the Exterior 600 Compact is to be connected directly to building wiring. *There shall be a switch in the circuit to turn power off when the fixture is not in use or is being serviced.*

section 4

DATA CONNECTION

This section describes how to connect fixtures to a controller and other devices, and how to terminate the data link. For data connection, the Exterior 600 Compact has a dual 1.8 meter (5.9 ft.) 24 AWG cable with locking 3-pin XLR connectors.

DATA PIN-OUT

Pin 1: shield Pin 2: signal - (cold) Pin 3: signal + (hot)

Recommended cable

Use only cable designed for RS-485 devices. The cable shall be suitable for outdoor use. It shall have low capacitance and a characteristic impedance of 85 to 150 ohms. It shall be electrically shielded and have at least 1 twisted pair of wires. The minimum wire size is 0.2 mm (24 AWG) for runs up to 300 meters (1000 ft.) and 0.322 mm (26 AWG) for runs up to 500 meters (1640 ft.).

Warning! *The fixture is not supplied with a weatherproof XLR connectors. If these connectors are exposed to water, moisture can be drawn up the inside of the cables due to the vacuum effect from the heat generated during operation. When installing the product outdoors, always ensure that the fixture is protected from water ingress from inside its data cable by:*

- *Protecting the connectors on the data cable in a weatherproof housing (or a weatherproof electrical junction box), or*
- *Using IP65 rated XLR cable and connectors (such as those produced by Neutrik), or*
- *Replacing the supplied cable with one that connects directly inside the fixture.*

Building the data link

To connect the controller

1. **DMX controllers:** Connect a data cable to the controller's data output. If the cable has a 3-pin male plug and the controller has a 5-pin female socket, use a 5-pin male to 3-pin female adaptor cable (P/N 11820005) or replace the 3-pin plug with a 5-pin plug. The pin-out is the same for 3-pin and 5-pin plugs. Pins 4 and 5 are not used.

Martin RS-485 protocol controllers (3032): First, connect a 3-pin "swapper" cable (P/N 11820006) to the controller's data output; then, connect a regular data cable to the swapper cable. A swapper cable connects pin 2 to pin 3 and pin 3 to pin 2.

2. If the controller is located in a central position between 2 or more fixtures, you may split the link into branches using a splitter such as the Martin 4-Channel Opto-Isolated RS-485 Splitter/Amplifier. Do not use a "Y" connector to split the link.
3. Lead the data cable from the controller to the first fixture. Plug the cable into the fixture cable with the male XLR connector. If the cable from the controller has a 5-pin plug, replace it with a 3-pin plug or insert a 5-pin male to 3-pin female adaptor cable (P/N 11820005).

To connect additional fixtures

1. Connect the output (female) of the fixture closest to the controller to the input (male) of the next fixture. (If connecting to another type of fixture with reversed-polarity (pin 3 cold), such as the PAL 1200, insert a swapper cable between the two fixtures.)
2. Continue connecting fixtures output to input. Up to 32 fixtures may be connected on a serial link. If more fixtures are required, use another controller output, if available, or an RS-485 amplifier.

Terminating the link

Link termination is achieved by inserting a 120 ohm resistor across the signal + (hot) and signal - (cold) wires; it is important for trouble-free communication. If a splitter is used, terminate each branch of the link.

The easiest way to terminate the link is to insert a male termination plug into the data output cable of the last fixture. A termination plug is simply an XLR connector with a 120 ohm resistor soldered across pins 2 and 3.

Permanent link termination can be achieved by placing a 120 ohm resistor across the terminals for the hot and cold data wires on the connection block inside the electronics section.

section 5 INSTALLATION

This section briefly describes how to anchor the Exterior 600 Compact. The Exterior 600 Compact's base allows the fixture to manually be panned 50° and tilted +/- 40°.

NOTICE!

It is the installer's responsibility to determine the anchoring method.

Location and orientation

The Exterior 600 Compact may be installed outdoors, in any orientation. It shall be located at least 1 meter (39 in.) away from the surface to be illuminated and any combustible materials. The aluminum housing reaches temperatures up to 80° C (176° F): the fixture should not be located where it can accidentally be touched.

To achieve the full tilt range, the fixture must be installed on a pedestal at least 12 cm (4.7 in) long. To achieve the full pan range, the fixture must be anchored with 4 fasteners that can be loosened, spaced at 90° intervals as described below.

The Exterior 600 Compact requires free-circulating air for cooling. Do not locate the fixture in an unventilated space.

Fastener spacing and type

WARNING!

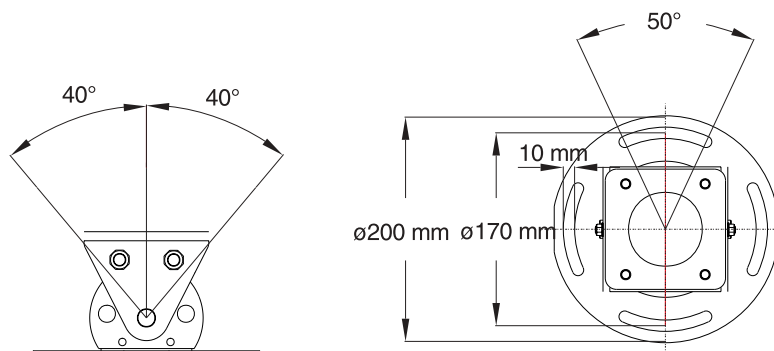
Verify that the structure can bear at least 10 times the weight of all installed fixtures. Use at least one fastener in each of the 4 curved mounting slots.

The fixture is designed to be anchored with four 10 mm (3/8 in.) bolts. Additional bolts may be used but the pan range will be reduced. Evenly space the bolts at 90° intervals, centered on a 170 mm (6 and 11/16 in.) circle, so that one bolt passes through each curved slot in the foot of the base.

The specific hardware will depend on the installation. Consult a qualified engineer to determine a suitable anchoring method and to verify that the structure can safely bear at least 10 times the fixture's weight. In general, use high quality corrosion resistant fasteners such as zinc-plated steel, grade 8.8 or better, together with either self-locking nuts or nuts and lock-washers.

Adjusting pan and tilt

1. To adjust the pan, loosen the anchor bolts slightly so that the fixture can turn. Manually adjust the pan position and retighten the bolts.
2. To adjust the tilt, loosen both tilt locks on either side of the base. Position the fixture and retighten the tilt lock nuts.



section 6 ADDRESS, SETTINGS, AND SOFTWARE

This section describes how to set the fixture address and other settings, calibrate effects, run a test routine, and install software updates. The effects of personality settings are described in section 8.

About uploaders

Settings are changed using a Martin uploader (MPBB1 or MP2) that has been loaded with the Exterior 600 Compact’s control software, which is available for download from the Martin web site, and connected to the fixture or the data link. *The software version loaded in the fixture and the uploader must be the same.* Note: Software for the standard Exterior 600 (files named “EX600XXX.MU3”) is not the same as for the Exterior 600 Compact (files named “EX60CXXX.MU3”). Be sure to install the correct software in the uploader before use.

The uploader has 2 modes: single-fixture, where it sends instructions only to the fixture at a specific address; and all-fixtures, where it sends to all same-type fixtures on the link. Communication is one-way; from the uploader to the fixture, so there is no way to read the address or settings. There is, however, a utility for finding fixture addresses. Please see the uploader manual for additional instructions.

To set fixtures via the serial link

To change settings on all Exterior 600 Compacts at the same time, connect the uploader to the data link and use all-fixtures mode. *If you set the address in all-fixtures mode, all Exterior 600 Compacts will be set to the same address.*

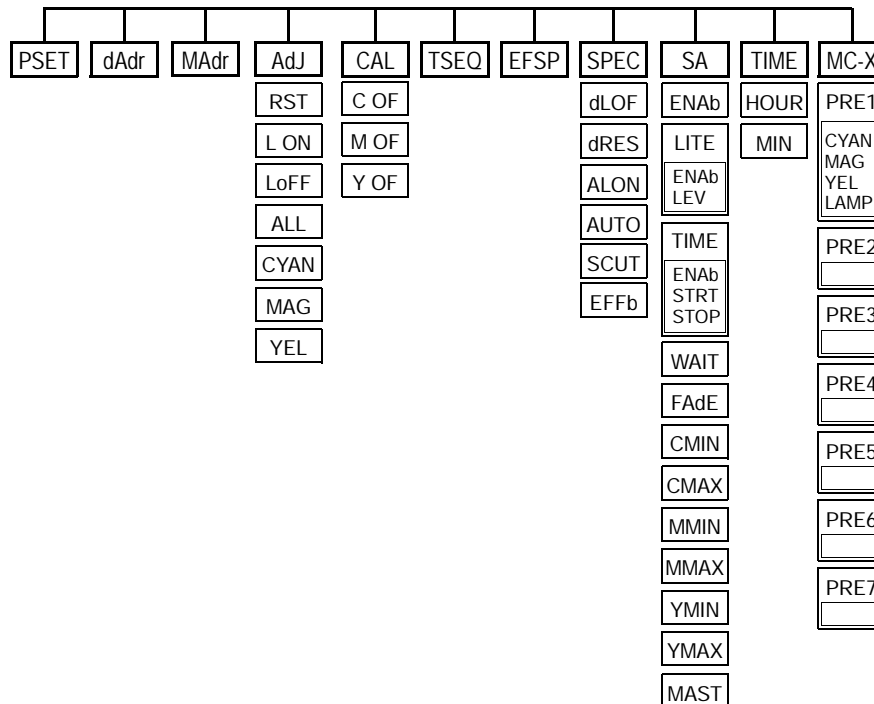
To change the settings of an individual fixture via the serial link, use single-fixture mode. The fixture’s address must be known and no other fixture may have the same address. Otherwise, *if you can apply power only to the fixture you want to set and you can turn off all others, use all-fixtures mode: only the Exterior 600 Compact that is powered on will be set.*

To set a fixture via direct connection

An individual fixture can also be set by connecting its data input (male) directly to the uploader’s output. *To avoid setting other Exterior 600 Compacts on the link, disconnect the fixture’s data output.*

Navigation

The settings menu is shown below. Please refer to the uploader manual for detailed navigation instructions.



Setting address and mode

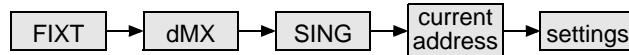
The fixture address and control mode must be selected before the Exterior 600 Compact will respond correctly to a

controller.

The fixture address, also known as the start channel, is the first channel used to receive instructions from the controller. The Exterior 600 Compact requires 4 channels in DMX mode 1 and 5 channels in DMX mode 2. It uses 2 channels in Martin mode. The control modes are described on page 22.

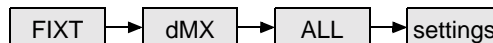
Fixture addresses may be set in any order. Two Exterior 600 Compacts may share the same address; however, they will receive the same instructions and independent control will not be possible.

To set mode and address with MPBB1 in single-fixture mode



1. Plug the serial link into the “DMX/RS-485 OUT” socket on the MPBB1.
2. Apply power to the Exterior 600 Compact and the MPBB1.
3. Use the arrow keys to select `FIXT` from the MPBB1 menu. Press [Enter].
4. Select the *current* mode, `dMX` or `MART`. Press [Enter].
5. Select `SING`. Press [Enter].
6. Scroll to the fixture’s *current* DMX or Martin address. Press [Enter].
7. To set the mode, select `PSET`. Press [Enter]. Select the desired mode - `DMX1`, `DMX2`, or `MART` - and press [Enter].
8. To set a new DMX address, select `dAdr`. Press [Enter]. Scroll to the *new* address. Press [Enter]. Press [Enter] again when `SURE` is displayed to confirm.
9. To set a new Martin address, select `MAdr`. Press [Enter]. Scroll to the *new* address. Press [Enter]. Press [Enter] again when `SURE` is displayed to confirm.
10. Disconnect the MPBB1 and reconnect the serial link.

To set mode and address with MPBB1 in all-fixtures mode



1. Plug the data input cable (male) of the fixture to set into the “DMX/RS-485 OUT” socket on the MPBB1. Disconnect the data output cable from the serial link. Alternatively, connect the serial link to the MPBB1 at any convenient point and make sure that power is applied only to the desired fixture.
2. Use the arrow keys to select `FIXT` from the MPBB1 menu. Press [Enter].
3. Select the *current* mode, `dMX` or `MART`. Press [Enter].
4. Select `ALL`. Press [Enter].
5. To set the mode, select `PSET`. Press [Enter]. Select the desired mode - `DMX1`, `DMX2`, or `MART` - and press [Enter].
6. To set an address, select `dAdr`, for a DMX address, or `MAdr`, for a Martin address. Press [Enter]. Scroll to the *new* address. Press [Enter]. Press [Enter] again when `SURE` is displayed to confirm.
7. Disconnect the MPBB1 and reconnect the serial link.

Setting personalities

Personality	Path	Options	Effect (Default settings shaded.)
Effects speed	EFSP	FAST	Normal, full speed operation.
		SAFE	Reduced speed operation.
DMX lamp off	SPEC/dLOF	ON	Enable DMX lamp off command.
		OFF	Disable DMX lamp off command.*
DMX reset	SPEC/dRES	ON	Enable DMX reset command.
		OFF	Disable DMX reset command.*
Automatic lamp on	SPEC/ALON	ON	Lamp strikes within 90 seconds of power on.
		OFF	Strike lamp with controller command.
Automatic protocol detection	SPEC/AUTO	ON	Enable automatic protocol detection.
		OFF	Disable automatic protocol detection.
Shortcuts	SPEC/SCUT	ON	Effect wheels turn the shortest direction.*
		OFF	Effect wheels always turn same direction.*
Effects feedback	SPEC/EFFb	ON	Enable feedback on effect wheels.
		OFF	Disable feedback on effect wheels.

* Setting may be overridden via DMX. See the protocol for details.

1. Select **FIXT** from the MPBB1 menu. Press [Enter] to continue or [Menu] to escape.
2. Select the mode, **dMX** or **MART**. Press [Enter].
3. Select single-fixture (**SING**) or all-fixtures (**ALL**) mode. Press [Enter]. If you selected single-fixture mode, scroll to the address of the fixture to set. Press [Enter].
4. Navigate to the personality setting to adjust. Press [Enter].
5. Select the desired option. Press [Enter].

Programming MC-X scenes

Seven scenes - combinations of colors and effects - can be programmed and stored in the Exterior 600 Compact's electronic memory. These scenes are programmed using a Martin uploader.

Once programmed, scenes are executed using the Martin MC-X remote control. The MC-X, which sends DMX commands with a special start-code on channel 1, also has functions to blackout the light and to engage the Exterior 600 Compact's stand-alone mode. Please refer to the MC-X user manual for information about executing scenes.

Scene parameters

The table below shows the options available for MC-X scene programming.

Parameter	Path	Options	Effect
Cyan	CYAN	0 - 255	White → Cyan
Magenta	MAG	0 - 255	White → Magenta
Yellow	YEL	0 - 255	White → Yellow
Lamp	LAMP	ON	Lamp power on
		OFF	Lamp power off

To program scenes with an MPBB1

1. Connect the serial link, or the DMX input of the fixture to be programmed, to the uploader's DMX / RS 485 output. Apply power to the uploader first and then the fixtures.

2. To program all connected fixtures, or to program a single connected fixture at an unknown address, follow the steps in the table below. *If programming a single fixture with this method, disconnect any other identical fixtures from AC power and/or the data link.*

Press	Times	To	Display
Menu	as needed	go to top of menu (display stops changing)	varies
up / down	as needed	select fixture menu	FIXT
Enter	1	enter menu	dMX
Enter	1	enter menu	ALL
Enter	1	enter menu	PSET

3. To program a single fixture with a known DMX address, use the following procedure. The uploader user manual describes how to find an address.

Press	Times	To	Display
Menu	as needed	go to top of menu (display stops changing)	varies
up / down	as needed	select fixture menu	FIXT
Enter	1	enter menu	dMX
Enter	1	enter menu	ALL
down	1	select single fixture mode	SING
Enter	1	enter address selection menu	001
up / down	as needed	scroll to the fixture's DMX address	varies
Enter	1	set uploader to fixture's DMX address	PSET

4. Select a scene to program.

Press	Times	To	Display
up / down	as needed	select MC-X menu	MC-X
Enter	1	enter menu	PRE1
up / down	as needed	select scene from 1 to 7	varies
Enter	1	enter effect menu	CYAN

5. Set CMY color.

Press	Times	To	Display
up / down	as needed	select cyan menu	CYAN
Enter	1	enter menu	0
up / down	as needed	set cyan level	0-255
Enter	1	save setting and continue	CYAN
down	1	select magenta menu	MAG
Enter	1	enter menu	0
up / down	as needed	set magenta level	0-255
Enter	1	save setting and continue	MAG
down	1	select yellow menu	YEL
Enter	1	enter menu	0
up / down	as needed	select yellow level	0-255
Enter	1	save setting and continue	YEL

6. Program a lamp off command in one scene if you want to control lamp power with the MC-X. Otherwise, set the lamp command to ON in each scene.

Press	Times	To	Display
down	1	select lamp menu	LAMP
Enter	1	enter menu	ON

Press	Times	To	Display
up / down	as needed	program lamp on or lamp off command	ON/OFF
Enter	1	save setting and continue	LAMP

7. Repeat steps as necessary to program scenes 1 to 7. When finished, turn off and disconnect the uploader.

Running a test sequence with the MPBB1

The test sequence allows you to test the fixture without a controller.

1. Select `FIXT` from the MPBB1 menu. Press [Enter].
2. Select the mode, `DMX` or `MART`. Press [Enter].
3. Select single-fixture (`SING`) or all-fixtures (`ALL`) mode. Press [Enter]. If you selected single-fixture mode, scroll to the address of the fixture to test. Press [Enter].
4. Navigate to `TSEQ`. Press [Enter]. Press [Enter] again to confirm.

Calibrating effects with the MPBB1

The calibration menu allows you to adjust the effects for total uniformity between fixtures: it is not a substitute for mechanical adjustment, which shall only be performed by a qualified technician.

1. Select `FIXT` from the MPBB1 menu. Press [Enter] to continue or [Menu] to escape.
2. Select the mode, `DMX` or `MART`. Press [Enter].
3. Select `SING`. Press [Enter]. Scroll to the fixture address. Press [Enter].
4. Navigate to `CAL`. Press [Enter].
5. Select effect to calibrate: cyan (`C OF`), magenta (`M OF`), or yellow (`Y OF`). Press [Enter].
6. Adjust from 1 to 255. Press [Enter] to save the calibration.

Manual control

The adjustment menu (AdJ) provides manual control for making mechanical adjustments and is for service technicians. The menu provides functions to reset the fixture (`RST`), turn on and off the lamp (`L ON`, `L OFF`), and move all effects to their `OPEN`, `SPOS` (sensor), and `APOS` (adjustment) positions, together (`ALL`) or individually.

Installing software

The latest control software for the Exterior 600 Compact is available from your Martin dealer and the Martin web site at <http://www.martin.dk>.

Software is uploaded to the Exterior 600 Compact using an uploader such as the Martin MPBB1 or MP2. Please refer to the uploader manual for instructions on preparing the uploader for use.

Normal upload with MPBB1

1. Connect the MPBB1 to the fixture or serial link as if connecting a controller.
2. Power up the fixtures and allow them to reset. Turn on the MPBB1.
3. Use the arrow keys to select `UPLd` from the MPBB1 menu. Press [Enter] to continue or [Menu] to escape.
4. Select `DMX` or Martin protocol. If the fixtures are set for auto protocol detection, either protocol may be used. If not, the protocol must match the fixture `PSET` setting.
5. Press [Enter]. The LEDs on the Exterior 600 Compacts are steady yellow to indicate an upload is in progress. When the upload is complete, the MPBB1 displays `dONE` and the fixtures reset.

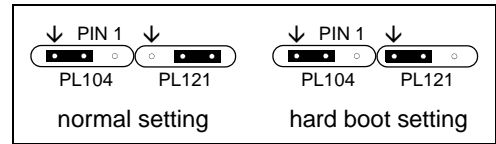
Boot mode upload with MPBB1

If the data is corrupted during transmission, a check-sum error occurs that causes the fixture to switch to boot mode in preparation for a second upload attempt. Execute a *boot-mode* upload as described in the uploader manual.

If an upload attempt is interrupted, the fixture must be powered off for at least 10 seconds before a second upload can be attempted. When the fixture is powered on, a check-sum error occurs that causes it to switch to boot mode in preparation for the second upload attempt. Select boot mode upload on the uploader.

If the software in memory is corrupted, software can be installed using the “hard-boot” setting, which is enabled by moving a jumper on the circuit board. This upload procedure is also used to install software if it includes an update of the boot sector.

1. Disconnect the fixture from AC power. Open the electronics section as described on page 24.
2. On the circuit board, move jumper PL121 to pins 1 and 2 (hard boot setting) as shown.



3. Connect the fixture’s data input (male) to the MPBB1. Apply power to the uploader first and then to the fixture.
4. Select `UPd` from the MPBB1 menu and press [Enter]. Select `boot`. Press [Enter] to start the upload. When the upload is finished, the MPBB1 displays `dONE` and the fixture resets with the new software.
5. Disconnect the fixture from the electricity, move the jumper back to the normal setting, and close the electronics section as described.

section 7 STAND-ALONE OPERATION

This section describes how to operate the Exterior 600 Compact without a controller in stand-alone (SA) mode in which the fixture executes random color changes at set intervals and speeds at a set time and/or light level. An MPBB1 Uploader is used to program the stand-alone settings. Please see “About uploaders” on page 13.

Stand-alone settings

SA setting	Path	Options	Effect
Clock set: hour	TIME/HOUR	0-23	Sets the current hour.
Clock set: minute	TIME/MIN	0-59	Sets the current minute.
SA on/off	SA/ENAb	ON-OFF	Enables/disable other SA settings. <i>Turn SA off on slave fixtures.</i>
Light sensor on/off	SA/LITE/ENAb	ON-OFF	Toggles light-level control.
Light level	SA/LITE/LEV	0-255	Sets the light trigger level. 0 is darkest, 255 is brightest. When setting, light switches on/off at current level.
Clock on/off	SA/TIME/ENAb	ON-OFF	Toggles clock control.
Start hour	SA/TIME/STRT/HOUR	0-23	Sets the start hour.
Start minute	SA/TIME/STRT/MIN	0-59	Sets the start minute.
Stop hour	SA/TIME/STOP/HOUR	0-23	Sets the stop hour.
Stop minute	SA/TIME/STOP/MIN	0-59	Sets the stop minute.
Wait time	SA/WAIT	1 sec- 60 min	Sets the time between color changes. Set wait time = fade time for continuous change.
Fade time	SA/FADE	0-60	Sets the fade time in seconds.
Minimum cyan Minimum magenta Minimum yellow	SA/CMIN SA/MMIN SA/YMIN	0-255	Sets the minimum amount of each color to use in the random color. Must be less than or equal to maximum.
Maximum cyan Maximum magenta Maximum yellow	SA/CMAX SA/MMAX SA/YMAX	0-255	Sets the maximum amount of each color to use in the random color. Must be greater than or equal to the minimum.
Master on/off	SA/MAST	ON-OFF	Toggles master signal transmission.
Slave address	dAdr	1	Same color on master and slave.
		13	Master CMY mix maps to slave MYC.
		25	Master CMY mix maps to slave YCM.
		37	Master CMY mix maps to slave MCY.
		49	Master CMY mix maps to slave CYM.
		61	Master CMY mix maps to slave YMC.

General procedure for changing stand-alone settings

1. Plug the fixture's data input cable (male) into the 3-pin "DMX/RS-485 OUT" socket on the MPBB1. Disconnect the data output cable if it is connected to other fixtures.
2. Apply power to the fixture and the MPBB1.
3. Select `FIXT` from the MPBB1 menu. Press [Enter].
4. Select `dMX`. Press [Enter].
5. Select `ALL`. Press [Enter].
6. Use the arrow keys to navigate to the desired menu item. Press [Enter] to select the item or sub-menu, or press [Menu] to escape.
7. When all the settings have been made, disconnect the data input cable from the MPBB1. Reconnect the output cable to the data link or next fixture if applicable.

Programming a single fixture

To enable or disable stand-alone mode

1. To enable stand-alone mode, switch `SA / ENAb` to `ON`.
2. Turn the fixture off. Stand-alone operation is enabled when you turn the fixture back on.
3. Stand-alone mode can be disabled temporarily by turning the fixture off, or, if connected to a controller, by sending control signals. Stand-alone operation resumes when the fixture has been turned off and then turned back on again.
4. To permanently disable stand-alone mode, switch `SA / ENAb` to `OFF`.

To set the trigger and internal clock

Stand-alone operation can be set for a time of day, using the built-in clock, or for a light level, using the built-in light sensor. If both the clock *and* the light sensor are used, operation starts, within the times set, as soon as it is darker than the light-level setting. Operation stops at the stop time or when the ambient light is brighter than the light-level setting, whichever comes first.

To avoid false triggering by sudden light changes, for example from automobile headlights, the light level must remain above or below the trigger threshold for 5 minutes.

1. To use the light trigger, set `SA / LITE / ENAb` to `ON`. Then navigate to `SA / LITE / LEV` and select a trigger level from 0 (darkest) to 255 (brightest). The light toggles on and off as you scroll past the current light level.
2. To use the clock, set `SA / TIME / ENAb` to `ON`. Navigate to `SA / TIME / STRT / HOUR` and select the start hour from 0 (midnight) to 23 (11 PM), then set `SA / TIME / STRT / MIN` from 0 to 59. Set the stop hour and minute with `SA / TIME / STOP / HOUR` and `SA / TIME / STOP / MIN`.
3. To set the correct time, set `TIME / HOUR` to the correct hour, using 24-hour time, and set `TIME / MIN` to the correct minute.

To program stand-alone effects

1. Set a wait time from 1 second to 1 hour using `SA / WAIT`. This is the time a color is applied.
2. Set the fade time from 0 to 60 seconds using `SA / FAde`. The fade time is the time it takes to change from one color to another. If the fade time and wait time are the same, the colors change continuously.
3. Set the minimum and maximum amount of cyan to use in the random color mix from 0 (none) to 255 (full) with `SA / CMIN` and `SA / CMAX`. Note: The minimum value must be less than or equal to the maximum value. Setting both values to 0 excludes the color from the mix and setting them to 255 causes the color to be fully applied all the time.
4. Similarly, set the minimum and maximum levels of magenta and yellow.

Synchronizing stand-alone operation

Synchronous stand-alone operation of several Exterior 600 Compacts may be achieved by linking them together and using the master/slave function in which one unit - *only* - transmits control signals to the others. Standard Exterior 600s are compatible with Compact models in master/slave configuration. If both types are used, select one of the standard Exterior 600s to be the master fixture if you want to use the frost and/or zoom options.

To link and terminate fixtures

Synchronous operation requires that the fixtures be connected on a data link.

Terminating the link on *both* ends is recommended when there is no controller. To terminate the first fixture, plug a 3-pin *female* XLR plug with a 120 ohm resistor soldered across pins 2 and 3 into its input (male) cable. To terminate the last fixture, plug a 3-pin *male* XLR plug with a 120 ohm resistor across pins 2 and 3 into its output (female) cable.

To select and program the master fixture

No more than one fixture may be the master. Any fixture on the link, however, regardless of its position, may be the master, so select the fixture that is easiest to access.

1. Program the master fixture as described above for single fixtures.
2. Switch SA/MAST to ON. This causes the master fixture to transmit control signals to the slaves.

To program slave fixtures

A slave fixture must be set up in DMX mode 1 or 2, automatic protocol detection (AUTO) must be turned off, and it must have one of the DMX addresses listed below. See “To set mode and address with MPBB1 in all-fixtures mode” on page 14 if you need to change the settings.

The DMX address determines how the slave’s color relates to the master’s color. The slave’s stand-alone settings must be disabled so it can be controlled by the master fixture.

1. Connect the input of the slave fixture to the output of the MPBB1. Disconnect the fixture's output from the serial link.
2. Using the MPBB1, switch SA/ENAB to OFF. This disables the other stand-alone settings.
3. Navigate to dAdR and set the slave address to 1, 13, 25, 37, 49, or 61. *No other addresses may be used for slave fixtures.* Set the address to 1 to have the slave execute the same color as the master. Set the address to 13, 25, 37, 49, or 61 to have the slave execute a different color. The color relationship for each address is shown in the table of stand-alone settings.
4. Disconnect the MPBB1 and reconnect the data link.
5. Turn the fixture off. The stand-alone settings take effect when the fixture is turned back on.

section 8

CONTROLLER OPERATION

This section describes the Exterior 600 Compact's control modes, effects, and the personality options available for customizing them. The LED display and cold weather operation are also covered.

Martin RS-485 control

The Exterior 600 Compact is controllable with the Martin 3032 controller. Though the Exterior 600 Compact is not implemented in the 3032 software, it may be set up in the controller as a MAC 600.

For the fixture to respond, either the protocol setting must be set to Martin (PSET > MART), or automatic protocol detection must be enabled (SPEC > AUTO > ON).

DMX-512 control

The Exterior 600 Compact can be controlled by any USITT DMX-512 (1990) protocol controller. The controller must send a start code of 0 at the beginning of every packet.

Tracking versus vector control

The Exterior 600 Compact has 2 DMX control modes: tracking and tracking/vector control. Tracking/vector control contains all features of both modes and is recommended if there is room for the additional DMX channel.

With tracking control, fades are programmed using the controller's fade time. The controller divides the fade into small pieces that the fixture "tracks." The Exterior 600 Compact has a digital filter algorithm that averages several updates to ensure smooth movement.

Vector control provides a way to program fades on controllers without programmable fade times. With vector control, instead of breaking up the movement into many small positions, the controller sends one position value along with a speed value that is programmed on a separate channel. Vector control may provide smoother fades than tracking control with some controllers, particularly on very slow fades.

Switching control modes (mode 2 only)

Refer to the DMX protocol for channel 5, the speed channel, on page 27. To enable tracking control in tracking/vector mode (mode 2), set channel 5 to "Tracking" (DMX 0 - 2). To switch to vector control, set the controller's fader (if applicable) to 0 and set a speed using the DMX values from 3 to 245. Tracking control can also be enabled with or without shortcuts, regardless of the personality setting, with the DMX values from 246 to 251.

You may switch between tracking and vector control, but you cannot use them both at the same time. When using tracking control, set the speed channel to a tracking value. When using vector control, set the controller fade time to 0.

Operating the lamp

Lamp on

With the default setting, the lamp remains off until a "lamp on" command is sent from the controller. To have the lamp strike automatically within 90 seconds of powering on, switch the Automatic Lamp On personality to on (SPEC > ALON > ON).

A large peak of electric current is drawn for an instant when striking a discharge lamp. Striking many lamps at once may cause a voltage drop large enough to prevent lamps from striking and/or trip circuit breakers. When striking multiple lamps, program a sequence that strikes lamps one at a time at 5 second intervals.

If Automatic Lamp On is enabled, there is a delay of up to 90 seconds that is determined by the fixture address.

Lamp off

The lamp can be turned off from the controller by sending a "lamp off" command on channel 1. If the DMX Lamp Off personality is off (SPEC > dLOFF > OFF), the command only works if each of the CMY channels (2, 3, and 4) is set to a DMX value from 230 to 232.

After being turned off, the lamp must cool for at least 8 minutes before it can be turned back on. "Lamp on" commands sent within 8 minutes of a "lamp off" command are stored and then executed after the time has elapsed.

Operating the mechanical effects

The mechanical effects reset to their “home” position when the Exterior 600 Compact is powered on. They can also be reset from the controller on channel 1. If the DMX Reset personality is off (SPEC > dRES > OFF), the reset command only works if each of the CMY channels is set to a DMX value from 230 to 232.

An on-the-fly position correction system automatically corrects the position of the effect wheels. This feature can be disabled by turning effects feedback off (SPEC > EFFb > OFF), but this is not recommended.

CMY subtractive color mixing

The CMY color mixing system is based on graduated cyan, magenta, and yellow color filters. A continuous range of mixed colors may be achieved by varying the amount of each filter from 0 to 100%. Note that mixing 3 colors results in a loss of light - *the light is blacked out when all 3 colors are fully applied*. For maximum brightness, mix only 2 colors at a time.

The Shortcuts (SCUT) setting determines whether the wheels take the shortest path to the next position or turn in one direction only. The setting may be overridden on the speed channel in vector mode.

Cold weather operation

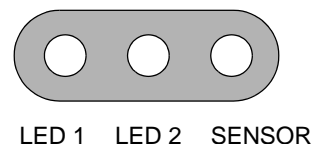
When the temperature is expected to fall below freezing, the electronics must be kept warm by leaving the fixture on. The lamp, however, may be switched off.

Operating status

Under normal operation, the LED display indicates the status of the mechanical effects and the control data. Two steady green LEDs indicates proper operation. A red or unlit LED indicates an error.

Special conditions are also indicated. Both LEDs flash yellow while the fixture is resetting. During a software upload, both LEDs are steady yellow.

The LEDs flash off for a brief instant at regular intervals. This is to prevent false readings when the light sensor samples the ambient light level.



Summary, LED 1

- Steady green: Fixture ready, mechanical effects OK.
- Flashing red and green: Fixture ready with one or more errors. Contact a service technician.
- Flashing yellow: Reset in progress.
- Steady yellow: Software upload in progress.

Summary, LED 2

- Off: No data.
- Steady green: Data OK.
- Steady red: Invalid data.
- Flashing yellow: Reset in progress.
- Steady yellow: Software upload in progress.

section 9

BASIC SERVICE AND MAINTENANCE

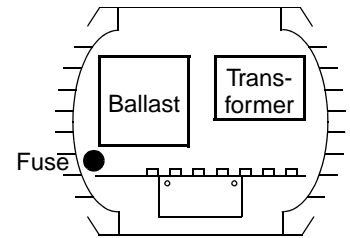
This section describes additional service procedures. Procedures not described shall be referred to a qualified technician.

WARNING!

Disconnect the fixture from AC power before removing any cover.

Opening and closing the electronics section

1. Disconnect the fixture from AC power.
2. To open, remove the 10 Allen screws from the rear cover plate. Pull off the plate and seal.
3. Before closing, check the condition of the seal. Replace with a new one (P/N 20600020) if the seal is torn, cracked or brittle.
4. To close, insert the Allen screws through all holes in the cover and seal. Place the cover firmly against the body. Adjust the straight sides of the seal so that they stick out a little bit, just enough so that you can feel the seal when you run a finger across the joint.
5. Cross-tighten the cover bolts with a torque of 3 N.m (2.2 Ft-Lbs). With this torque, the seal will be compressed by about one-third.



Replacing fuses

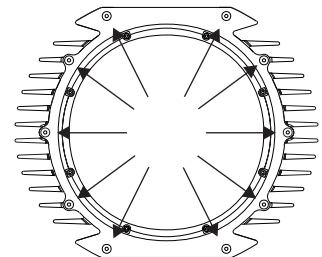
The Exterior 600 Compact has 4 fuses. The main fuse is located in a fuse holder inside the electronics section, to the left of the ballast. The fuses for each of the 3 low-voltage power supplies are located on the printed circuit board.

1. Make sure the Exterior 600 Compact is isolated from AC power. Open the electronics section.
2. To remove the printed circuit board from the fixture, remove 2 screws from the aluminum bracket and pull the board out.
3. Locate and replace the defective fuse with one of the same size and rating.
4. Close the electronics section before applying power.

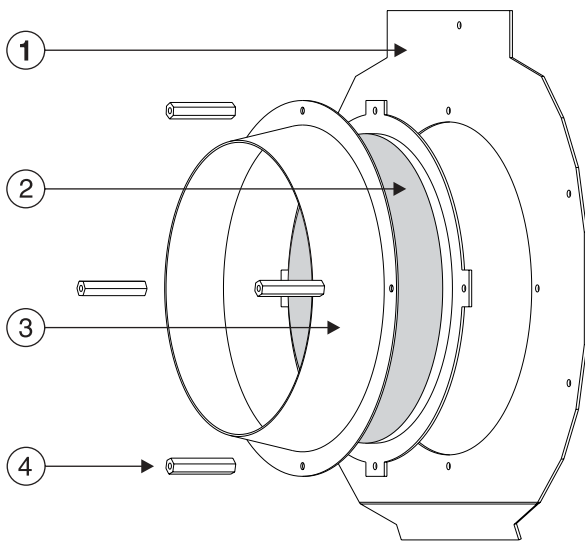
Adjusting field angle

The Exterior 600 Compact's field angle can be switched from 30° to 41° by moving the fresnel lens from the front to the rear position. With the accessory diffuser lens (not included), the field angle is 63°.

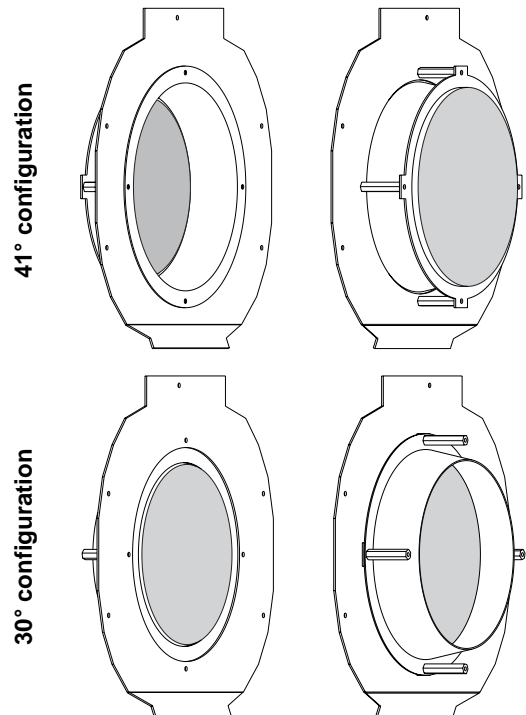
1. Disconnect the fixture from AC power. Remove the front aluminum plate - not the glass - by removing the 10 Allen screws.
2. Remove the front lens assembly from the fixture by removing 5 screws from the lens assembly plate.
3. Remove the lens from the assembly by unscrewing the hardware that fastens the lens bracket.
4. For a 30° beam angle (lens in forward position), place the lens on the assembly plate so that the lens bracket is flush against the back of the plate. Place the spacer cone over the lens. Align and fasten the parts with 4 screws and spacer nuts. Screw the unused screws into the free end of the spacer nuts to store them.
5. For a 41° beam angle (lens in rear position), place the spacer cone through the assembly plate with the flange at the front and the narrow end at the back. Fasten the spacer cone with 4 screws and spacer nuts. Position the lens on top of the spacer nuts with the bracket against the spacer cone and fasten with 4 screws.
6. For a 63° beam angle, substitute the diffuser lens for the fresnel lens and install in either position as described above.



7. Place the front lens assembly back in the fixture and fasten with 5 screws.
8. Before closing, check the condition of the seal. Replace with a new one (P/N 20600020) if the seal is torn, cracked or brittle.
9. To replace the front plate, insert the Allen screws through all holes in the plate and seal. Place the plate firmly against the body. Adjust the straight sides of the seal so that they stick out a little bit, just enough so that you can feel the seal when you run a finger across the joint.
10. Cross-tighten the Allen screws with a torque of 3 N.m (2.2 Ft-Lbs). With this torque, the seal will be compressed by about one-third.



1. lens assembly plate
2. lens and bracket
3. spacer cone
4. spacer nut



Maintaining the seal

The Exterior 600 Compact has an IP rating of 65: it is protected against dust and can withstand low pressure water jets. To maintain protection against dust and water:

1. Replace any seal that becomes brittle or shows visible signs of wear.
2. Verify that seals are flush with, or protrude slightly above, the surface of the aluminum covers.
3. Verify that cable pass-through fittings are tightened both to the casing and the cable.
4. Tighten the end plates and the lamp access plate with a torque of 3 N.m (2.2 Ft-Lbs). With this torque, the seals will be compressed by about one-third.

Cleaning the housing

The Exterior 600 Compact's aluminum housing can be cleaned with mild detergents such as those for washing cars.

1. Disconnect the fixture and allow it to cool.
2. Visually check that the seals are in good condition.
3. Rinse off loose dirt with a garden hose or low pressure water spray.
4. Wash the aluminum using a mild detergent and a soft brush or sponge. Do not use abrasive cleaners.
5. Rinse.

Changing the mains lead

The mains lead may be replaced with a longer or heavier gauge cable if necessary. The pass-through fitting seals

around cables from 3.5 to 9.8 mm (5/32 - 3/8 in.) in diameter.

1. Make sure the Exterior 600 Compact is isolated from AC power. Remove the 10 Allen screws from the rear cover plate. Pull off the plate and seal.
2. Remove the 2 screws from the aluminum circuit-board bracket and pull the circuit board out.
3. Unplug the power cable's brown lead from the back of the main fuse holder. Remove the green/yellow lead from the grounding bolt located above the ballast. Disconnect the blue lead from the connection block located in front of the transformer.
4. Loosen the large outer nut on the mains lead pass-through fitting. Cut zip ties as necessary and pull the mains lead out of the fixture. Transfer the outer pass-through nut to the new cable and then insert the new cable through the fitting. Pull the cable into the fixture and cut to 52 cm (20 in.) from the inside of the pass-through.
5. Remove 28 cm (11 in.) of outer insulation. Lead the cable between the fuse holder and housing.
6. Install a 6.3 mm (1/4 in.) insulated female spade terminal on the live lead (brown), and plug the lead into the back of the main fuse holder.
7. Install a ring terminal on the ground lead (green/yellow), place the terminal on the grounding bolt over the ballast, and replace the nut.
8. Strip 6 mm (1/4 in.) of insulation from the neutral lead (blue) and screw the lead into the neutral terminal of the connection block in front of the transformer.
9. Replace the printed circuit board. Bundle the wires together as before with zip ties.
10. Verify that both nuts on the pass-through fitting are tight. Check the condition of the seal for the back cover. Replace with a new one (P/N 20600020) if the seal is torn, cracked or brittle.
11. Insert the Allen screws through all holes in the cover and seal. Place the cover firmly against the body. Adjust the straight sides of the seal so that they stick out a little bit, just enough so that you can feel the seal when you run a finger across the joint.
12. Cross-tighten the cover bolts. The correct torque for these bolts is 3 N.m (2.2 Ft-Lbs). With this torque, the seal will be compressed by about one-third.

DMX appendix a PROTOCOL

Start code = 0

DMX channel	Value	Percent	Function
1 * If the command is disabled, set channels 2, 3, and 4 (CMY) from 230 to 232.	0 - 19	0 - 7	Light, Reset, Lamp On/Off Blackout (CMY full)
	20 - 49	8 - 19	Light (CMY as programmed)
	50 - 127	20 - 44	Open white (CMY off)
	128 - 147	44 - 58	Random color, fast
	148 - 167	58 - 65	Random color, medium
	168 - 187	66 - 73	Random color, slow
	188 - 207	74 - 81	Open white (CMY off)
	208 - 217	82 - 85	Reset fixture*
	218 - 227	85 - 89	Open white (CMY off)
	228 - 237	89 - 93	Lamp power on
	238 - 247	93 - 97	Open white (CMY off)
	248 - 255	97 - 100	Lamp power off* Note: T ≥ 5 seconds
	2	0-255	0 - 100
3	0-255	0 - 100	Magenta White → Magenta
4	0-255	0 - 100	Yellow White → Yellow
5 (Mode 2 only)	0 - 2	0 - 1	Speed Tracking
3 - 245	1 - 96	Fast → slow	
246 - 248	96 - 97	Tracking, no shortcuts (override SCUT ON)	
249 - 251	98 - 98	Tracking, shortcuts on (override SCUT OFF)	
252 - 255	99 - 100	CMY fast (no blackout)	

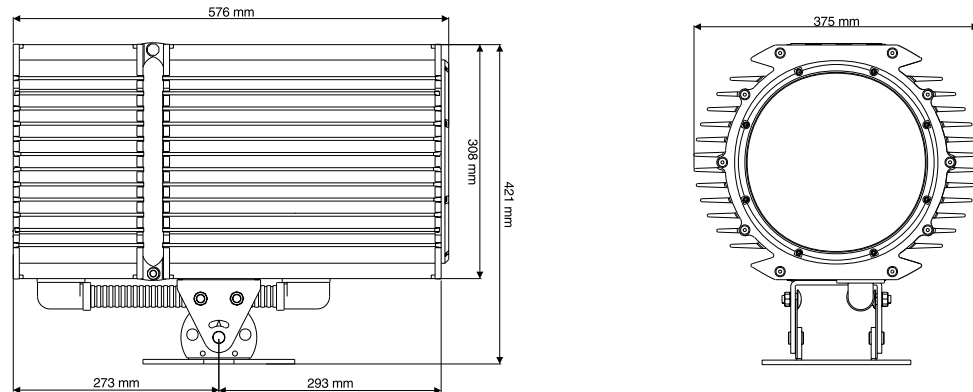
appendix b
TROUBLESHOOTING

Problem	Probable cause(s)	Remedy
One or more of the fixtures is completely dead.	Fixture not powered on.	Check that power is switched on and cables are plugged in.
	Primary fuse blown (located besides the ballast).	Disconnect fixture and replace fuse.
	Secondary fuse(s) blown (located on PCB inside the fixture base).	Disconnect fixture. Check fuses on PCB and replace.
Fixtures reset correctly but all respond erratically or not at all to the controller.	The controller is disconnected from the data link.	Connect controller.
	XLR pin-out of the controller does not match pin-out of the first fixture on the link (signal is reversed).	Install a phase-reversing cable between the controller and the first fixture on the link.
Fixtures reset correctly but some respond erratically or not at all to the controller.	Bad data link connection	Inspect connections and cables. Correct poor connections. Repair or replace damaged cables.
	Data link not terminated with 120Ω termination plug.	Insert termination plug in output jack of the last fixture on the link.
	Incorrect addressing of the fixtures.	Check fixture address and protocol settings.
	One of the fixtures is defective and disturbs data transmission on the link.	Bypass one fixture at a time until normal operation is regained. Have the defective fixture serviced by a qualified technician.
	XLR pin-out on fixtures does not match (pins 2 and 3 reversed).	Install a phase-reversing cable between the fixtures.
Lamp does not strike.	The ballast and transformer settings do not match local AC voltage and frequency.	Disconnect fixture. Check ballast and transformer settings and correct if necessary.
	Lamp missing or blown	Install new lamp.
	Lamp is too hot.	Allow lamp to cool for at least 8 minutes.
Lamp cuts out intermittently.	Fixture is too hot.	Allow fixture to cool.
	The ballast and transformer settings do not match local AC voltage and frequency.	Disconnect fixture. Check ballast and transformer settings and correct if necessary.
	Defective fan.	Refer to service technician.

appendix c SPECIFICATIONS

Physical

- Length..... 576 mm (22.7 in)
- Width 375 mm (14.8 in)
- Height 421 mm (16.6 in)
- Weight..... 42.7 kg (94.0 lbs)



Compatible lamps

- Osram HSD 575..... 3000 h, 7200K, 78 lm/w
- Osram HSR 575/2..... 1000 h, 6000K, 85 lm/w
- Philips MSD 575 2000 h, 6000K, 75 lm/w
- Philips MSR 575/2..... 1000 h, 7200K, 85 lm/w

Performance

- Light output (6" Fresnel lens at rear position, MSR 575/2)..... 18,300 lumens

Thermal

- Maximum ambient temperature (T_a) 40° C (104° F)
- Maximum surface temperature 80° C (176° F)

Control and programming

- Data pin-out pin 1 shield, pin 2 cold (-), pin 3 hot (+)
- Receiver Opto-isolated RS-485
- Setting and addressing remotely w/ MPBB1 Uploader
- Protocols USITT DMX-512 (1990), Martin RS-485
- DMX speed control tracking and/or vector
- DMX channels..... 4 - 5

Connections

- AC input..... 1.8 m (5.9 ft.) trailing cable w/o cord cap
- Data I/O 1.8 m (5.9 ft.) trailing cable w/ dual 3-pin XLR male & female

Maximum power and current

- @ 200 V, 50 Hz 620 W, 3.9 A
- @ 230 V, 50 Hz 650 W, 3.5 A
- @ 245 V, 50 Hz 640 W, 3.3 A
- @ 208 V, 60 Hz 620 W, 3.9 A
- @ 227 V, 60 Hz 650 W, 3.5 A
- @ 277 V, 60 Hz (requires 277 V power supply) 705 W, 3.2 A

Design standards

- Canadian safety.....CSA C22.2 NO 166
- EU EMC50 081-1, 50 082-1
- EU safetyEN 60598-1, EN 60598-2-17
- US safety..... ANSI/UL 1573

Construction

- Housing..... extruded aluminum
- Finish Anodized, natural aluminum color
- Front glass..... 6 mm anti-reflection coated
- Base 6 mm stainless steel
- Housing-to-base attachment 2 stainless steel M10 bolts, A2 DIN 933, 18.8
- Protection factor IP 65

Installation

- Mounting points..... 4 curved 10 mm (3/8 in) slots on 85 mm radius
- Orientation any
- Swivel +/- 25°
- Tilt (pedestal mounted)..... +/- 40°
- Minimum distance to combustible materials..... 1 m (39 in)
- Minimum distance to illuminated surfaces..... 1 m (39 in)

Optional accessories

- Wide angle diffuser lens for Exterior 600 Compact P/N 91610017
- MPBB1 Uploader P/N 90758410
- MC-X Controller, 220 - 245 V / 50 Hz P/N 90718200
- MC-X Controller, 110 - 120 V / 60 Hz P/N 90718300

Selected spare parts

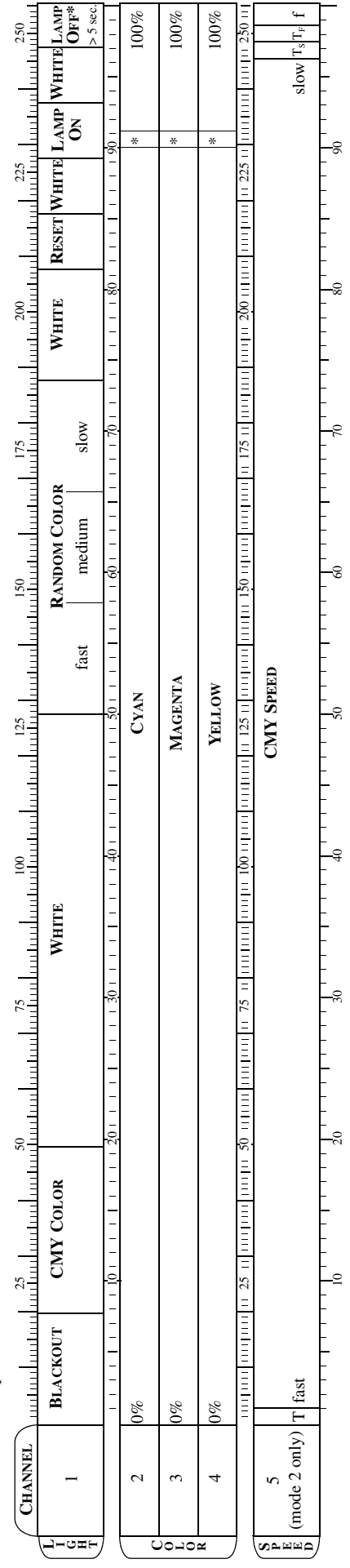
- Exterior 600 seal kit (8 pcs.)..... P/N 91611017
- Seal for alu. gable, Exterior 600 (4 pcs. included in seal kit)..... P/N 20600020
- Seal 1 for front lens, Exterior 600 (2 pcs. included in seal kit)..... P/N 20620060
- Seal for lamp replacement, Exterior 600 (1 pc. included in seal kit) P/N 20620050
- Seal for bracket, Exterior 600 (1 pc. included in seal kit) P/N 20600010
- Main fuse 6.3 A / 250 V time delay, P/N 05020020
- Fuse F601 5.0 A / 250 V time delay, P/N 05020018
- Fuse F602 4.0 A / 250 V time delay, P/N 05020016
- Fuse F603 0.315 A / 250 V time delay, P/N 05020004

Torques

- End plates 3 N.m (2.2 Ft-Lbs)
- Lamp access plate 3 N.m (2.2 Ft-Lbs)
- Front glass ring 1.5 N.m (1.1 Ft-Lbs)
- Conduit elbows 4 N.m (3 Ft-Lbs)

Exterior 600 Compact DMX Protocol

Start code = 0
 Implemented from CPU software version 1.0



* Set CMY from 230 to 232 to override disabled function.
 T = tracking mode (0-2 & 246-251)
 S = shortcuts off (246-248)
 F = shortcuts on (249 -251)